

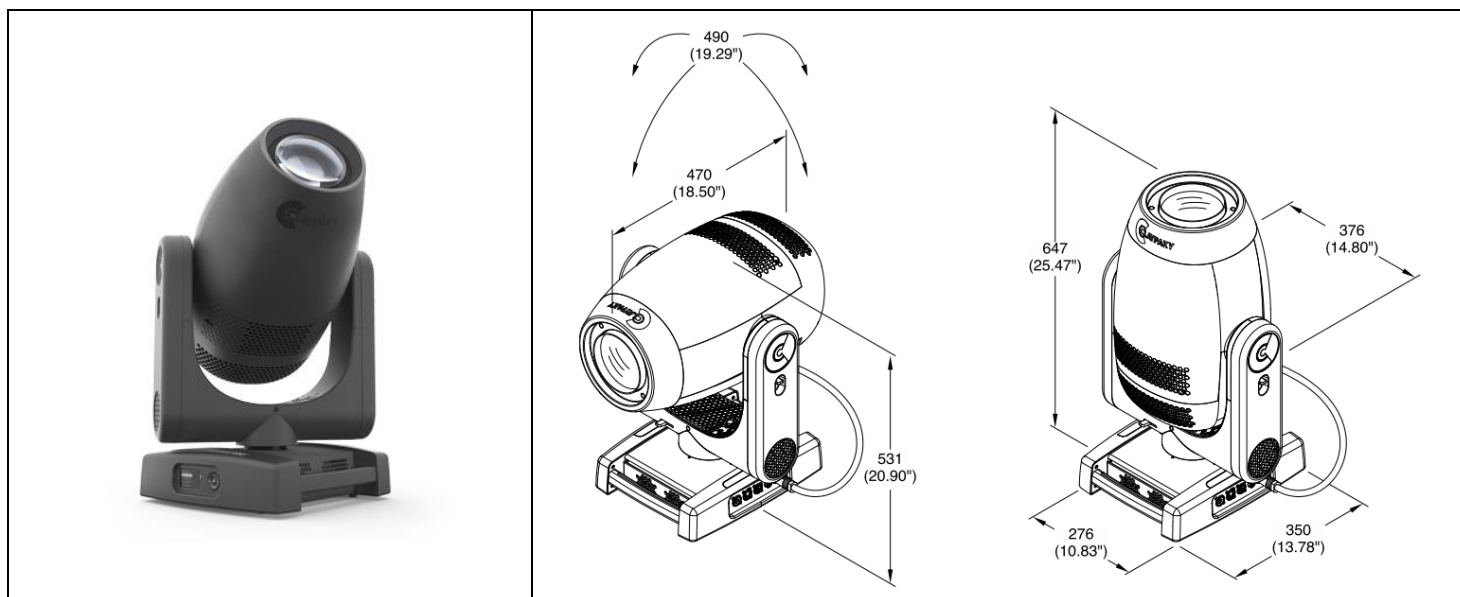
Axcor Spot 400

Axcor Spot 400 HC

C61770 – C61771

Datasheet

07/2020



C61770 Axcor Spot 400
C61771 Axcor Spot 400 HC

POWER SUPPLIES

AC power input Neutrik PowerCON True, 100-240V, 50/60 Hz

INPUT POWER

540 VA @230Vac - 50Hz

LIGHT SOURCE

Source: 300W White LED Module

L70: 20000hrs

Versions available:

- CRI: at least 70, CT 6500K (Axcor Spot 400)
- CRI: at least 90, CT 5600K (Axcor Spot 400 HC)

MOTORS

Stepper motors, operating with micro-steps, totally microprocessor controlled

CHANNELS

28 control channels

INPUTS

DMX 512 – Art-Net

IP RATING

IP 20 - Protected against the entry of solid bodies larger than 12mm (0.47"); No protection against the entry of liquids.

SAFETY SPECIFICATIONS

- Minimum distance of illuminated objects 3 meters (9' 10")
- Minimum distance from flammable materials 0.2 meters (8")
- Max ambient temperature 40°C (104°F)
- Max temperature of the external surface 90°C (194°F)
- 6.3AT fuse
- Automatic break in power supply in case of overheating
- Forced ventilation with axial fans

ELECTRONICS

- Long life self-charging buffer battery
- Function reset from the lighting desk
- "AUTOTEST" function from menu
- Electronic monitoring with status error
- Cooling system monitoring
- DMX level monitoring on all channels
- Internal data transmission diagnostics
- Firmware Upgrade via Web Server
- Firmware upload from another fixture
- Protocols/Functions: RDM, Web Server

OPTICS

- Ø 125mm front lens
- 5.4 – 57.3 linear zoom

NOISE LEVEL

- Auto Fan Mode 46.5dBA (background noise 33.5 dBA- Ta 23°C)
- Constant Fan Mode 48.5 dBA (background noise 33.5 dBA- Ta 23°C)
- Theatre / Silent Fan Mode 40.0 dBA (background noise 33.5 dBA- Ta 23°C)

EFFECTS SECTION

- 2 Rotating Gobo wheels : 7 interchangeable gobos
- Animation wheel
- Rotating Prism: 1 x 4-facet prism, indexable on 540°; clockwise and counter-clockwise rotation at variable speed
- Variable frost 0-100% linear
- Color system CMY with gradually insertion / Linear CTO
- Color wheel 6 colors
- Iris with multiple macros (random, pulsing...)
- Dimmer 16 bit electronic and linear; 4 dimmer curves
- Strobe 25 flash/sec, electronic, instant open and blackout

CONTROL AND PROGRAMMING

- DMX 512 control channels
- Control signal USITT DMX 512
- Protocols RDM, WebServer and Art-Net
- Display Graphic LCD backlit b/w Display
- Display battery Long life self-charging buffer battery
- Pan/Tilt Resolution 16 bit
- Gobo Resolution 16 bit
- Dimmer Resolution 16 bit
- DMX signal connection 5 poles XLR input and output
- Ethernet Input
- Firmware update Software upload through DMX/Ethernet input

BODY

- Aluminum and steel structure with plastic covers
- Two side handles for transportation
- Device locking PAN and TILT mechanisms for transportation and maintenance

MOVING BODY

- PAN range 540°
- TILT range 270°

WORKING POSITION

- Working in any position / Hanging system: with fast-lock omega clamps (1/4 turn) on the base, p/n 183102/805

CE MARKING

In conformity with the European Directives:

- 2014/35/EU - Safety of electrical equipment supplied at low voltage (LVD)
- 2014/30/EU - Electromagnetic Compatibility (EMC)
- 2011/65/EU - Restriction of the use of certain hazardous substances (RoHS)
- 2009/125/EC - EcoDesign requirements for Energy-related Products (ErP)

WEIGHT & DIMENSIONS

26 Kg (57.32 lbs)